

PRODUCT DETAILS

BIANCO NXT PTF end suction peripheral turbine pump is ideal for pumping uncontaminated liquids in applications where low flow rates have to be pumped at high pressure.

Especially suited for use as jacking pumps in commercial and industrial applications and also for small domestic situations. PTF pumps are ideal for tank water transfer.

Suitable for clean water applications where there is flooded suction.



APPLICATIONS

- Small domestic pressure boosting systems
- Gardening
- Industrial or commercial applications such as boiler feed systems, cooling, circulation or as pumps for the chemical industry.
- Water transfer

FEATURES

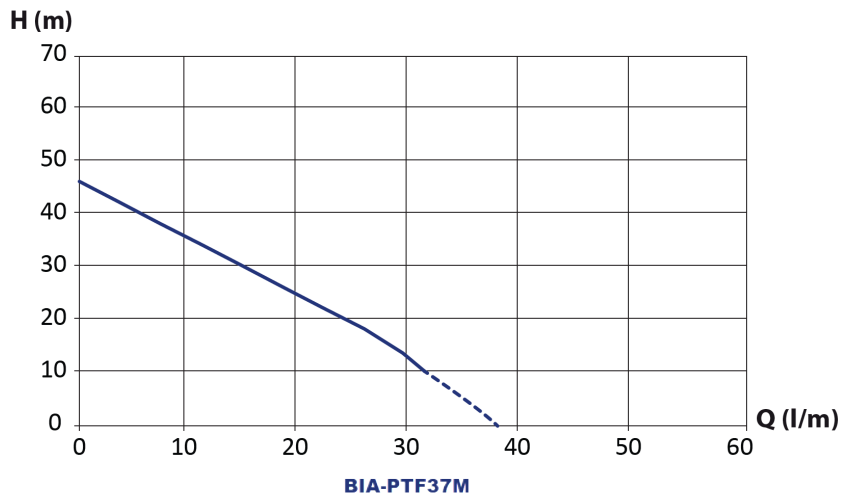
- Compact, simple design
- Close coupled 240V single phase TEFC motor with in-built auto reset thermal overload
- Robust and reliable
- Cast iron housing with cathaphoresis corrosion resistant coating and bronze impeller
- Supplied with NXT CORE pressure controller (adjustable start pressure, dry run protection, automatic restart)

TECHNICAL DATA

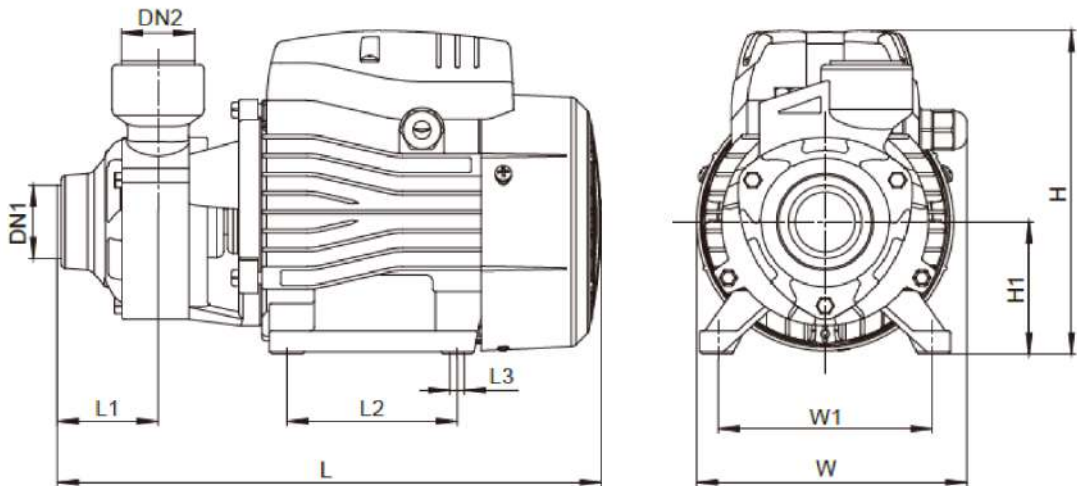
RATED POWER (W)	0.37kW
MAX. FLOW [LPM]	36 l/min
MAX. HEAD [M]	46 m
MAX OPERATING PRESSURE	6 bar
MOTOR INSULATION	F Class
MOTOR PROTECTION	In-built thermal overload
MAX AMBIANT TEMP	40 deg C
MAX LIQUID TEMPERATURE	3 - 40 deg C
MECHANICAL SEAL	Carbon/Ceramic/Nitrile
AUTOMATION FUNCTION	NXT CORE Pressure Controller

RATED VOLTAGE	230v (-6%, +10%) 1 PH 50 Hz
RATED CURRENT	2.5 amps
CAPACITOR	8uF 450V
POWER CABLE TYPE	1.2m H05 Cable
PROTECTION CLASS	IP44
IMPELLERS	Single
INLET	1" BSPF
OUTLET	1" BSPF
PACKAGING DIMENSIONS	315 x 290 x 385
GROSS WEIGHT (KG)	5.5kg (pump only)

CURVE



DIMENSIONS



Model	DN1	Dn2	L (mm)	W (mm)	H (mm)	L1 (mm)	L2 (mm)	L3 (mm)	W1 (mm)	H1 (mm)
PTF 37	G1"	G1"	260	132	155	46.5	80	8.5	100	63

WARRANTY / CERTIFICATIONS

